

ORDER GUIDE LG 100



**COMFORT
VENTILATION**



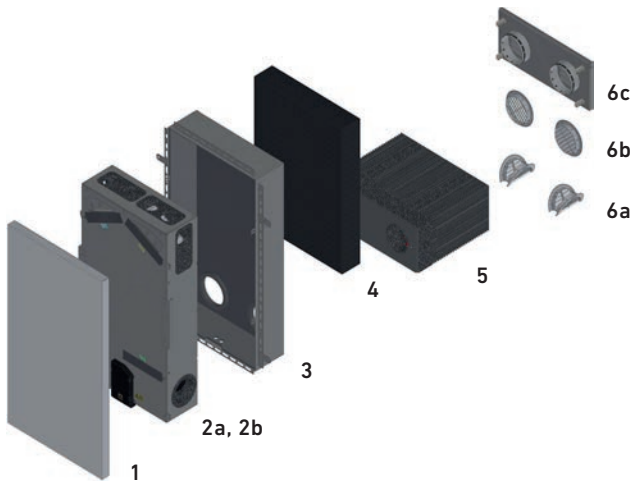
In preparation



 **PICHLER**

Systematic ventilation.

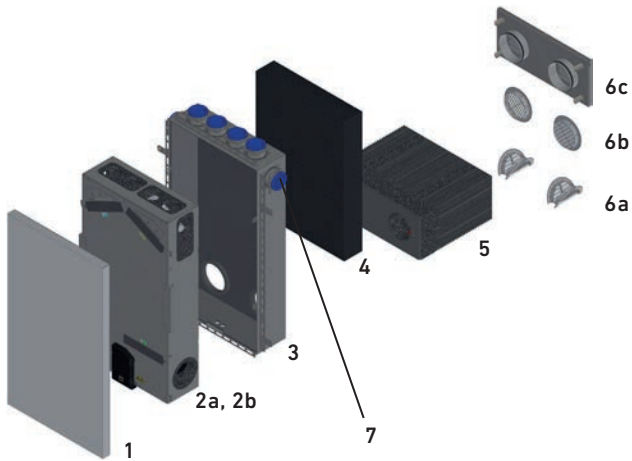
FLUSH-MOUNTED FITTING – SINGLE-ROOM APPLICATION



	Item	Item number
1	Design front, RAL 9003, other variants and colours – see page 20	08LG100UPAPDF1A
2a	Compact ventilation unit LG100 without housing	08LG100UPF
2b	Compact ventilation unit LG100 without housing with pre-heating battery	08LG100UPFV
3	Flush-mounted housing, single-room application	08LG100UPGERA
4	EPS compensating insulation, 100 mm	08LG100UPAGD1A
5	EPP wall duct element	08LG100UPWD
6a	Plastic grille NW 170, white mountable from the inside	10DF140B
6b	Plastic grille NW 155, white mountable from the outside	10TU125B
6c	Outer wall element NW 125; steel sheet galvanized RAL 9003*	08LG100AWE1A

**) Other designs and colours on request*

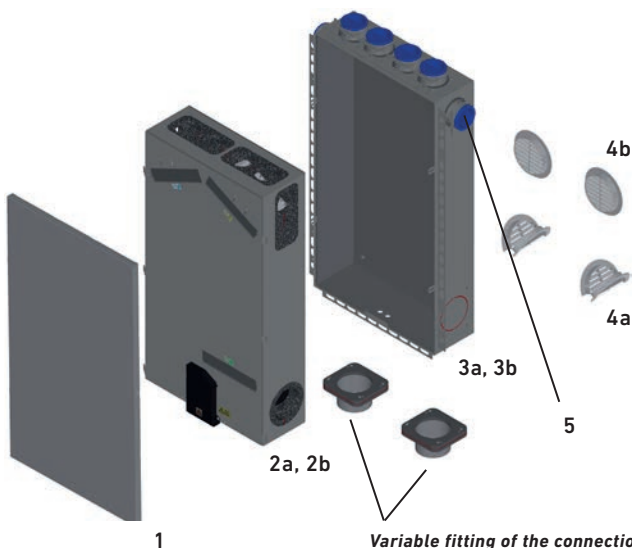
FLUSH-MOUNTED FITTING – MULTI-ROOM APPLICATION



	Item	Item number
1	Design front, RAL 9003, other variants and colours – see page 20	08LG100UPAPDF1A
2a	Compact ventilation unit LG100 without housing	08LG100UPF
2b	Compact ventilation unit LG100 without housing with pre-heating battery	08LG100UPFV
3	Flush-mounted housing, multi-room application	08LG100UPGMRA
4	EPS compensating insulation, 100 mm	08LG100UPAGD1A
5	EPP wall duct element	08LG100UPWD
6a	Plastic grille NW 170, white mountable from the inside	10DF140B
6b	Plastic grille NW 155, white mountable from the outside	10TU125B
6c	Outer wall element NW 125; steel sheet galvanized RAL 9003*	08LG100AWE1A
7	1 pc. Expansion set multi-room application for an additional KomFlex® air duct	08LG100UPESETA

**) Other designs and colours on request*

FLUSH-MOUNTED FITTING WITH A FACING SHELL – MULTI-ROOM APPLICATION

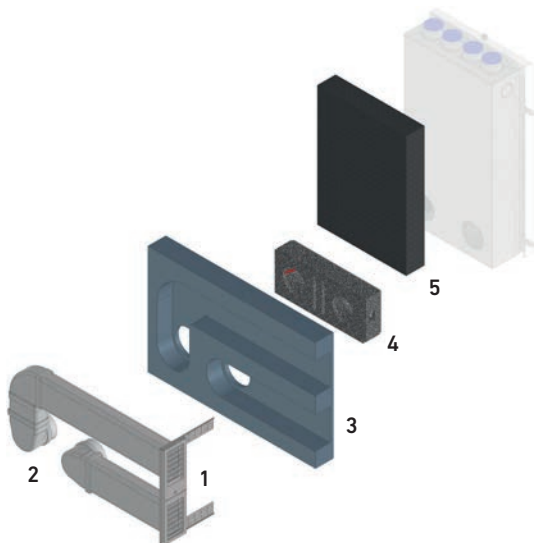


	Item	Item number
1	Design front, RAL 9003, other designs and colours – see page 20	08LG100UPAPDF1A
2a	Compact ventilation unit LG100 without housing	08LG100UPF
2b	Compact ventilation unit LG100 without housing with pre-heating battery	08LG100UPFV
3a	Flush-mounted housing, connecting piece without lip seal	08LG100UPGMRAVS (standard)
3b	Flush-mounted housing, connecting piece with lip seal	08LG100UPGMRAVSL (optionally)
4a	Plastic grille NW 170, white mountable from the inside	10DF140B
4b	Plastic grille NW 155, white, mountable from the outside	10TU125B
5	1 Expansion set multi-room application for an additional KomFlex® air duct	08LG100UPESETA

Variable fitting of the connections at the side or bottom. ODA/EHA-connecting piece DN100 with or without lip seal.



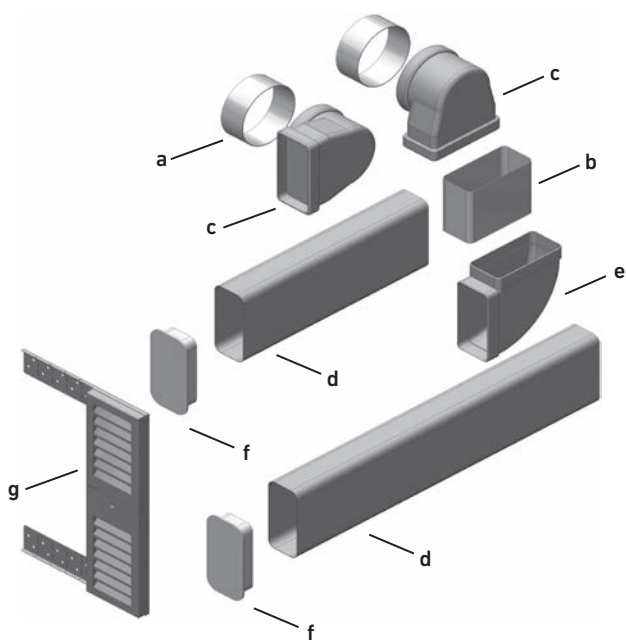
FLUSH-MOUNTED FITTING – WINDOW REVEAL CONNECTION (SINGLE-ROOM AND MULTI-ROOM CONNECTION)



Item	Item number
1 Exterior wall element window reveal, RAL 9003*	08LG100FLAWE1A
2 Window reveal connection set	08LG100FLASETA
3 Window reveal insulation panel	08LG100FLDPA
4 EPP wall duct element	08LG100UPWD
5 EPS compensating insulation, 100 mm	08LG100UPAGD1A

**) Other designs and colours on request*

EXTERIOR WALL ELEMENT WINDOW REVEAL (1) & WINDOW REVEAL CONNECTION SET (2)

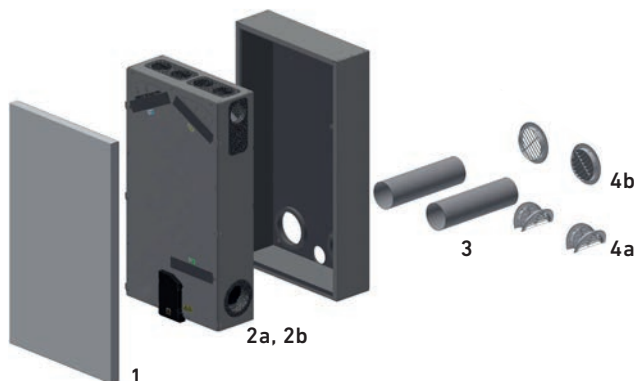


Item	Item number
LG100UP/AP connection set for window reveal	
a 2 pcs. Pre-cut parts round pipe ø 125 mm	40LG0300064A
b 1 pc. Pre-cut part flat duct, W x H = 150 x 70 mm	40LG0300065A
c 2 pcs. Junctions square / round	08UERV12515070
d 2 pcs. Flat ducts 1 m made from plastic	08K150701000
e 1 pc. Bend 90° flat	08B9015070
f 2 pcs. Endcovers for ducts	08EP15070

Item	Item number
g 1 pc. Exterior wall element window reveal, RAL 9003*	08LG100FLAWE1A

**) Other designs and colours on request*

SURFACE-MOUNTED INSTALLATION – SINGLE-ROOM APPLICATION



Item	Item number
1 Design front, RAL 9003, other designs and colours – see page 20	08LG100UPAPDF1A
2a Compact ventilation unit LG100AP surface-mounted unit with housing	08LG100APF
2b Compact ventilation unit LG100AP surface-mounted unit with housing with pre-heating battery	08LG100APFV
3 Round tube plastics, NW 125 mm, L = 1000 mm	08R1251000
4a Plastic grille NW 170, white, mountable from the inside	10DF140B
4b Plastic grille NW 155, white, mountable from the outside	10TU125B



CEILING MOUNTING



Variable installation of the connection at the side or rear. ODA/EHA connecting piece DN100 with or without lip seal.

Item	Item number
1a Compact ventilation unit LG100DE ceiling unit, connecting piece without lip seal	08LG100DEF (standard)
1b Compact ventilation unit LG100DE ceiling unit with pre-heating battery, connecting piece without lip seal	08LG100DEFV (standard)
1c Compact ventilation unit LG100DE ceiling unit, connecting piece with lip seal	08LG100DEFL (optionally)
1d Compact ventilation unit LG100DE ceiling unit with pre-heating battery, connecting piece with lip seal	08LG100DEFVL (optionally)
2 Operating control unit MINI LG100	08LGMINI100
3 Inspection cover	08LG100150REVDE



DESIGN FRONT VARIANTS



Item	Item number
1 Design front, galvanized sheet steel in RAL 9003 with matt coating*	08LG100UPAPDF1A
2 Design front, prisms film*	08LG100UPAPDF2A
3 Design front, line-art film*	08LG100UPAPDF3A
4 Design front, glass white*	08LG100UPAPDF4A
5 Design front, glass grey*	08LG100UPAPDF5A

*for flush-mounted & surface solution, ceiling solution excepted.

ErP 2018
 Fulfils the requirements of the Ecodesign Directive, in accordance with EU Regulation 1253/2014.



Responsible for the content: J. Pichler Gesellschaft m.b.H. | Graphics and layout: WERK1
 Photos: J. Pichler Gesellschaft m.b.H. | Text: J. Pichler Gesellschaft m.b.H.
 All rights reserved | All photos are symbolic photos | Subject to change without notice | Version: 12/2022 en



J. PICHLER
 Gesellschaft m.b.H.
 office@pichlerluft.at
 www.pichlerluft.at

AUSTRIA
 9021 KLAGENFURT
 AM WÖRTHERSEE
 Karlweg 5
 T +43 (0)463 32769
 F +43 (0)463 37548

AUSTRIA
 1100 WIEN
 Doerenkampgasse 5
 T +43 (0)1 6880988
 F +43 (0)1 6880988-13

Sales offices in Germany, Slovenia, Serbia and Bosnia. Sales partners in Europe.